

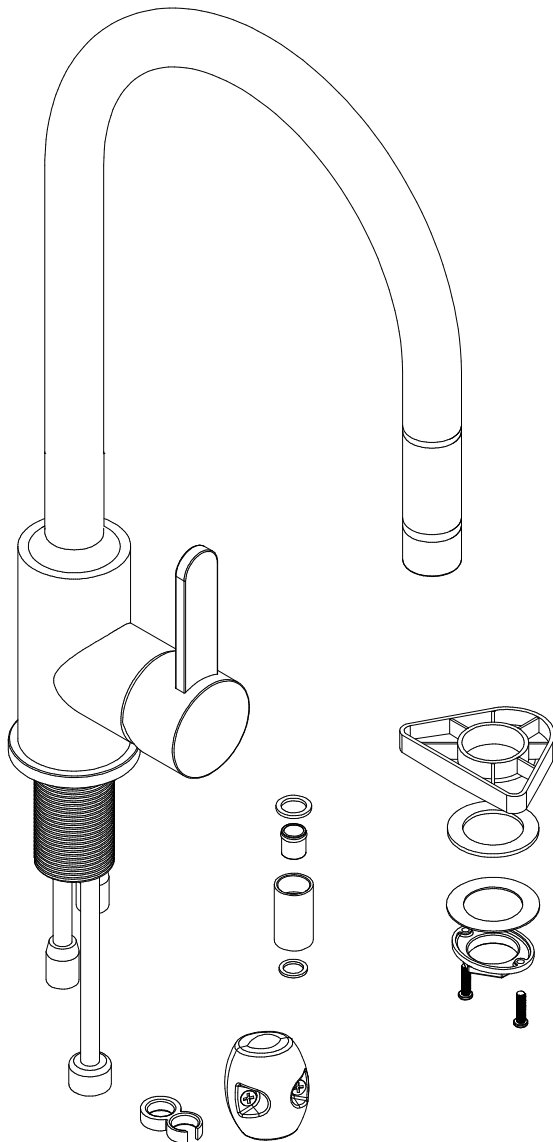
Installation instruction

Single Lever Stainless Steel Monobloc Tap with Pull out Spray

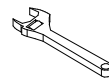
Eden

Before You Install

check to make sure you have the following parts indicated below



Tools You Will Need



Adjustable wrench

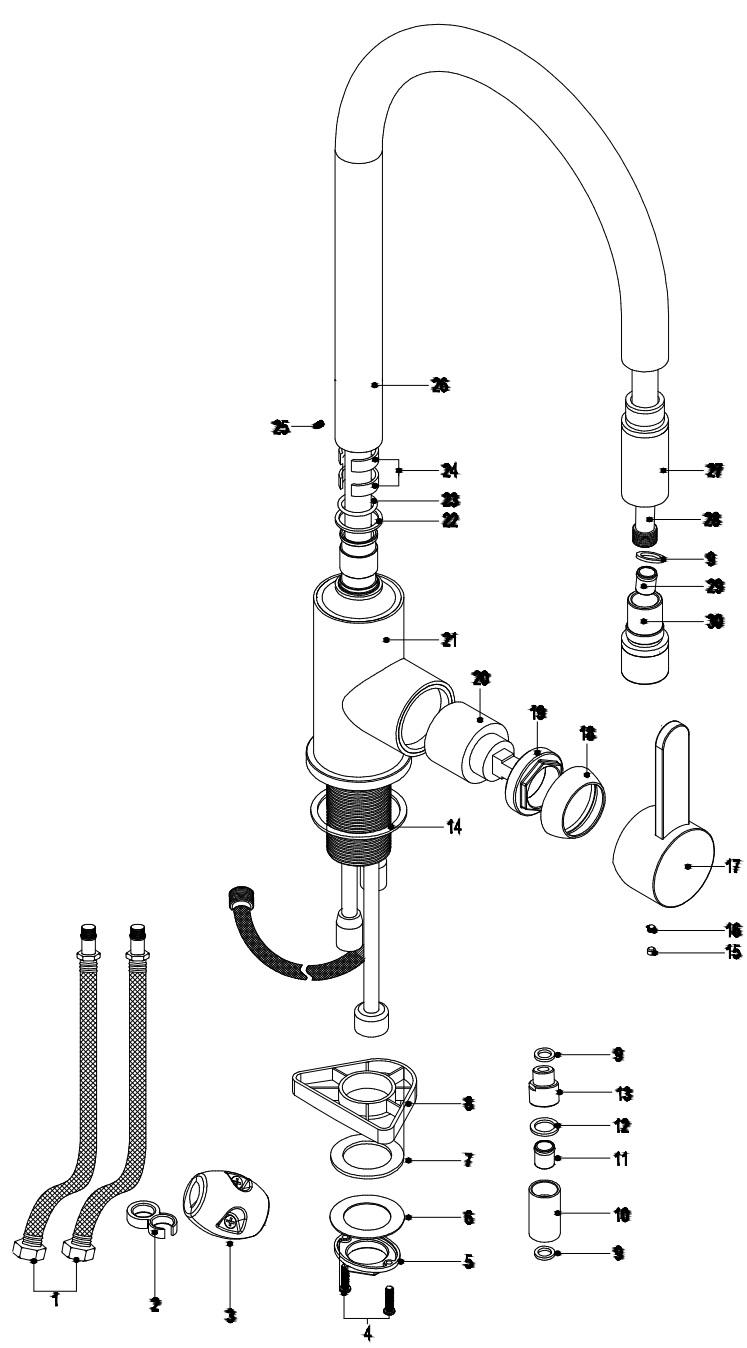


Phillips screwdriver



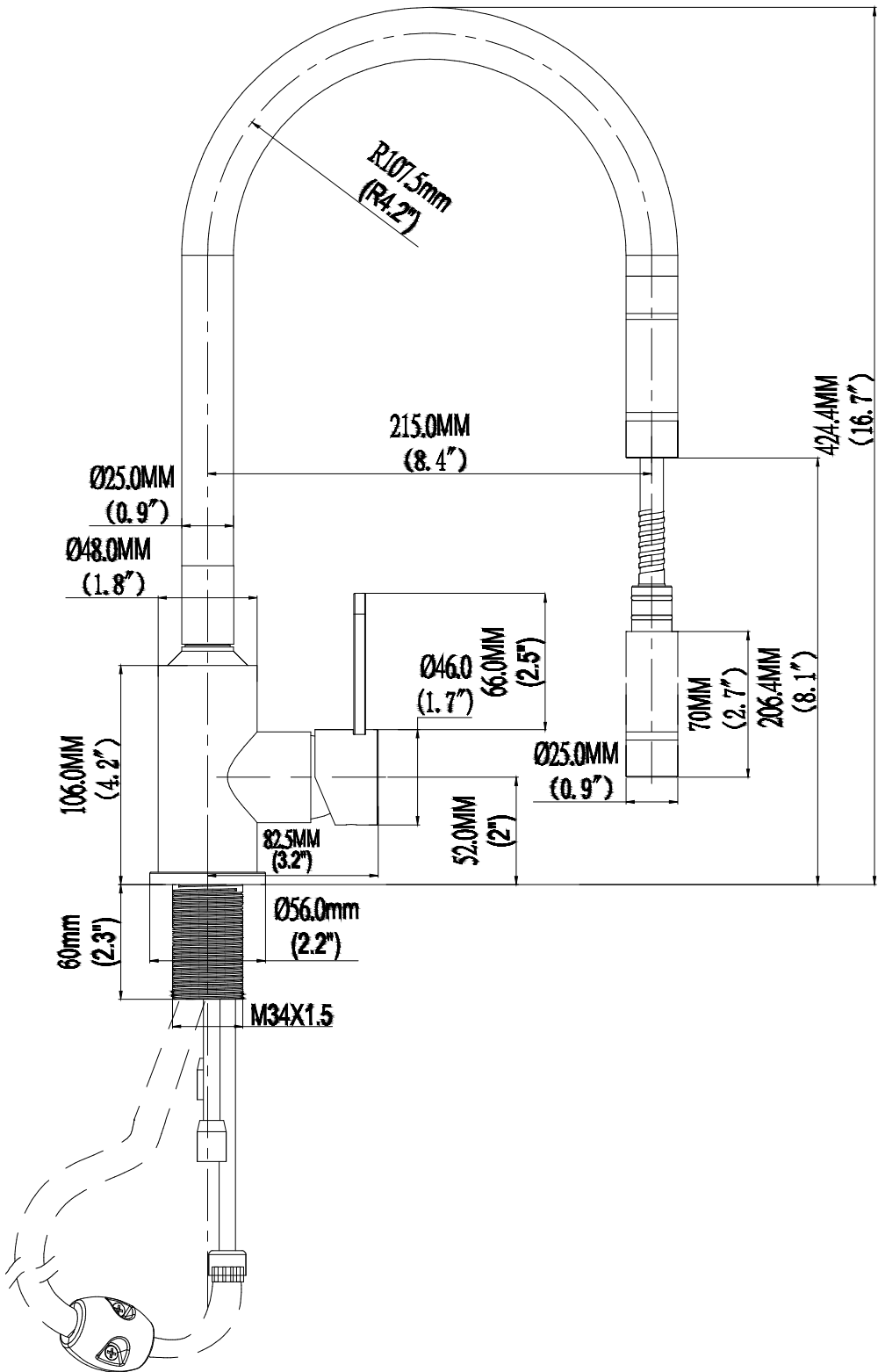
Pipe tape

Product Dimension Drawing



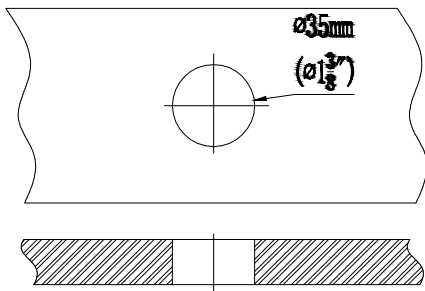
30	Nozzle adapter
29	Check valve Neoperl 31.4157.0.0001
28	Flex hose
27	Pull handle
26	Spout
25	M4 screw
24	Plastic gasket
23	O ring
22	Gasket
21	Faucet body
20	The valve core
19	Clamp nut
18	Decorative cover
17	Handle body
16	M5 screw
15	Silica gel particle
14	Washer
13	The G1/2 adapter
12	Washer
11	Check valve Neoperl 30.4043.0.0002
10	The M15 adapter
9	Washer
8	Strengthening part
7	Shim
6	Washer
5	M34 mounting nut
4	Spring jacket
3	Hammer
2	Spring holder
1	Hose
No.	PART NAME

Product Dimension Drawing

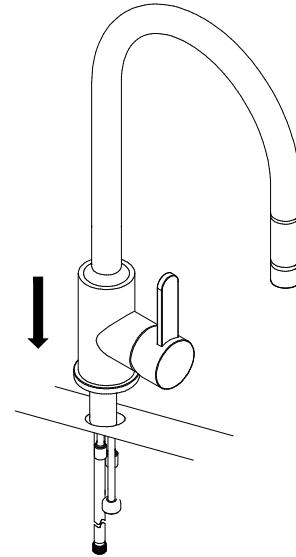


Faucet Installation Procedures

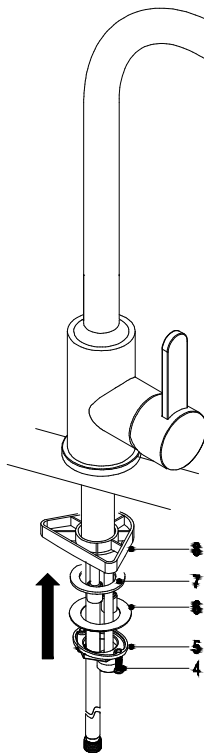
Step 1



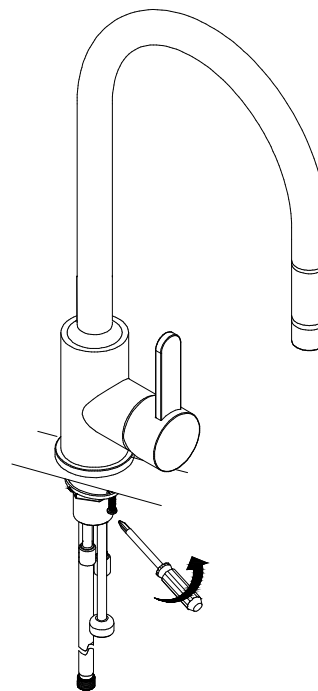
Step 2



Step 3

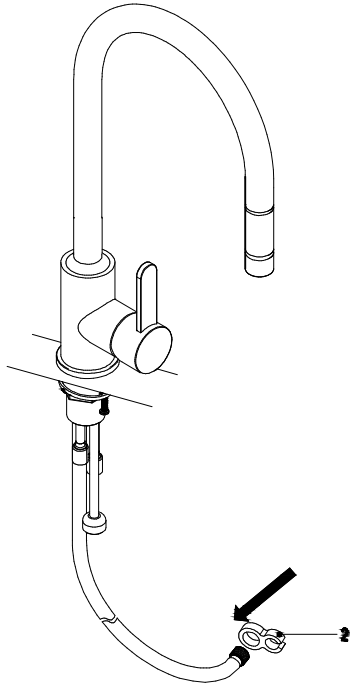


Step 4

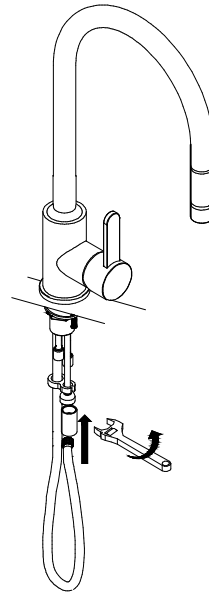


Faucet Installation Procedures

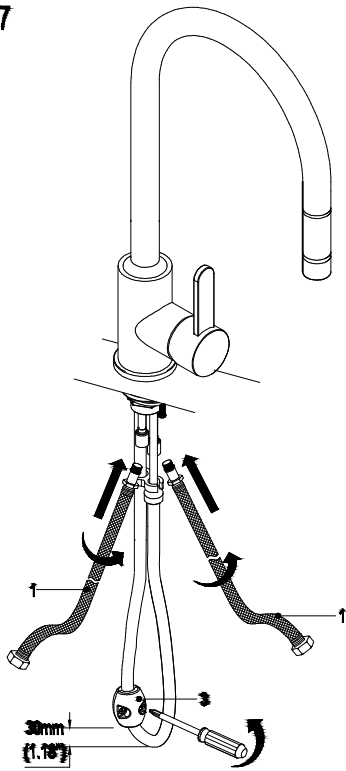
Step 5



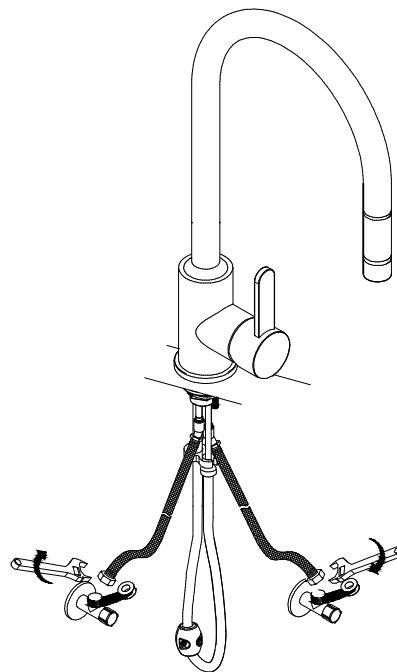
Step 6



Step 7



Step 8



Faucet Installation Procedures

Step 9

